



Plane Surface Floodlight Series 7800...

Application:

Industrial areas, stockyards, installation areas, object protection and fence illumination, construction zone and crane lighting (with vibration absorbing suspension device), indoor application with high ceilings etc.

Design:

Housing: Die-cast aluminium, 2-parts, powder coated DB702N (iron mica paint)
Upper part: With LED- and optic-modules
Lower part: With electronic ballast, glass cover, cable entry with cable relief, retractable.
Glass: Flat safety glass pane, resistant to

temperature changes, impact resistant IK08, silicone gasket.

Optic: Lens optic with narrow-wide (TB) or narrow beam (T) light distribution, Multi-Layer technology.

Connection: 3-pole terminal, max. clamping range 2,5 mm².

Cable entry: 2 cable entries M25 x 1.5 (1 cable gland and 1 screw plug).

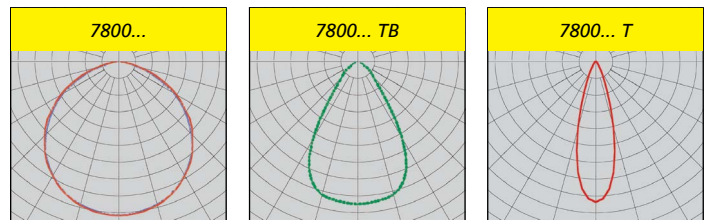
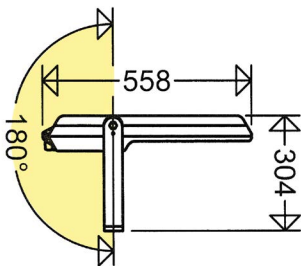
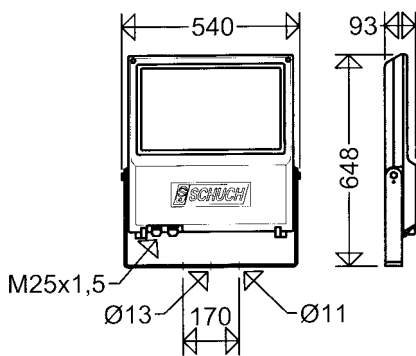
Mounting: Mounting bracket, swivel range 180°, with 3 drillings for wall- or ceiling mounting respectively for direct pole mounting in addition with pipe clamps **ROB 60/76** (see accessories).

Technical Data:

LED: Highpower-LED, neutral white 4,000K, Ra > 70, lifetime (L80) 100,000h
ECG: 220-240V, 50-60Hz, lifetime 100,000h. Due to the inrush current of the electronic ballasts, the maximum permissible number of light fittings per circuit breaker is limited. Overvoltage protection 10kV.

Options:

- 3,000K (light colour 730)
- 1,800K (light colour „Amber“)
- light output reduction (LR) per 230V control line (standard 50%, dimmable)
- dimmable version via DALI (DIMD) or 1-10V interface (DIMA)
- uniform luminous flux option (CL) to keep the light output on same level for the whole lifetime (L100)
- for connection to group or central battery systems (ZB)
- special painting in all RAL colours



Schuch Quality – your advantage:

- high quality, reliable at long time application
 - high system life time due to use of high-quality ECGs and LED modules
 - ECG with integrated overvoltage protection, reliable due to overload, short-circuit and over temperature protection
 - optimized thermal management due to direct adaption of the LED modules to the die-cast aluminium housing, large cooling surface, excellent heat dissipation
 - extremely low profile housing design made from high-quality corrosion resistant die-cast aluminium with weather-resistant powder coating
- uncompromisingly energy efficient and eco-friendly
 - optimal light distribution due to highly efficient lens optics
 - homogeneous illumination due to the Multi-Layer-Technology i.e. every individual LED illuminates the whole surface, the light curves of the individual LED are overlapping.
 - constant high luminous flux over the life of the LED due to uniform luminous flux function (option CL)
 - eco-friendly, no light emission into the upper half-space. Dark-Sky requirements are fulfilled
- comfortable maintenance due to removable lower part of the housing, large opening allows easy access to the terminal box and the electrical components, ECG replaceable on-site
- future proof by using standardized LED-modules (Zhaga)

Notes:

Properties, limitations and details for controlling LED-light fittings: See „Technical Supplement“.

All technical data is relevant at the time of print. Actual technical data can be found in the internet under www.schuch.de.

Article no.	Type	Power / consumption W *	Luminous flux [lm] **	Luminous efficacy [lm/W]	Energy efficiency class	Weight [ca. kg] (without packaging)
-------------	------	-------------------------	-----------------------	--------------------------	-------------------------	-------------------------------------

7800 ...



wide beam

78000 0011	7800 6403	137	18.160	133	A++	15,9
78000 0012	7800 12803	274	34.640	126	A++	17,0

narrow-wide beam

78000 0001	7800 6403TB	137	17.520	128	A++	15,9
78000 0002	7800 12803TB	274	33.760	123	A++	17,0

NEW

narrow beam

78000 0041	7800 6403T	137	17.740	129	A++	15,9
78000 0042	7800 12803T	274	34.840	127	A++	17,0

* see notes



Accessories / Spare Parts

Article no.	Type	
78001 9001	7800/010	spare safety glas
90270 0005	ROB 60/76	pipe clamp for direct pole mounting or on multiple post top adapters
90117 9000	2537	plastic cable gland M25 x 1,5 black
90118 9000	2538	plastic plug M25 x 1,5 black